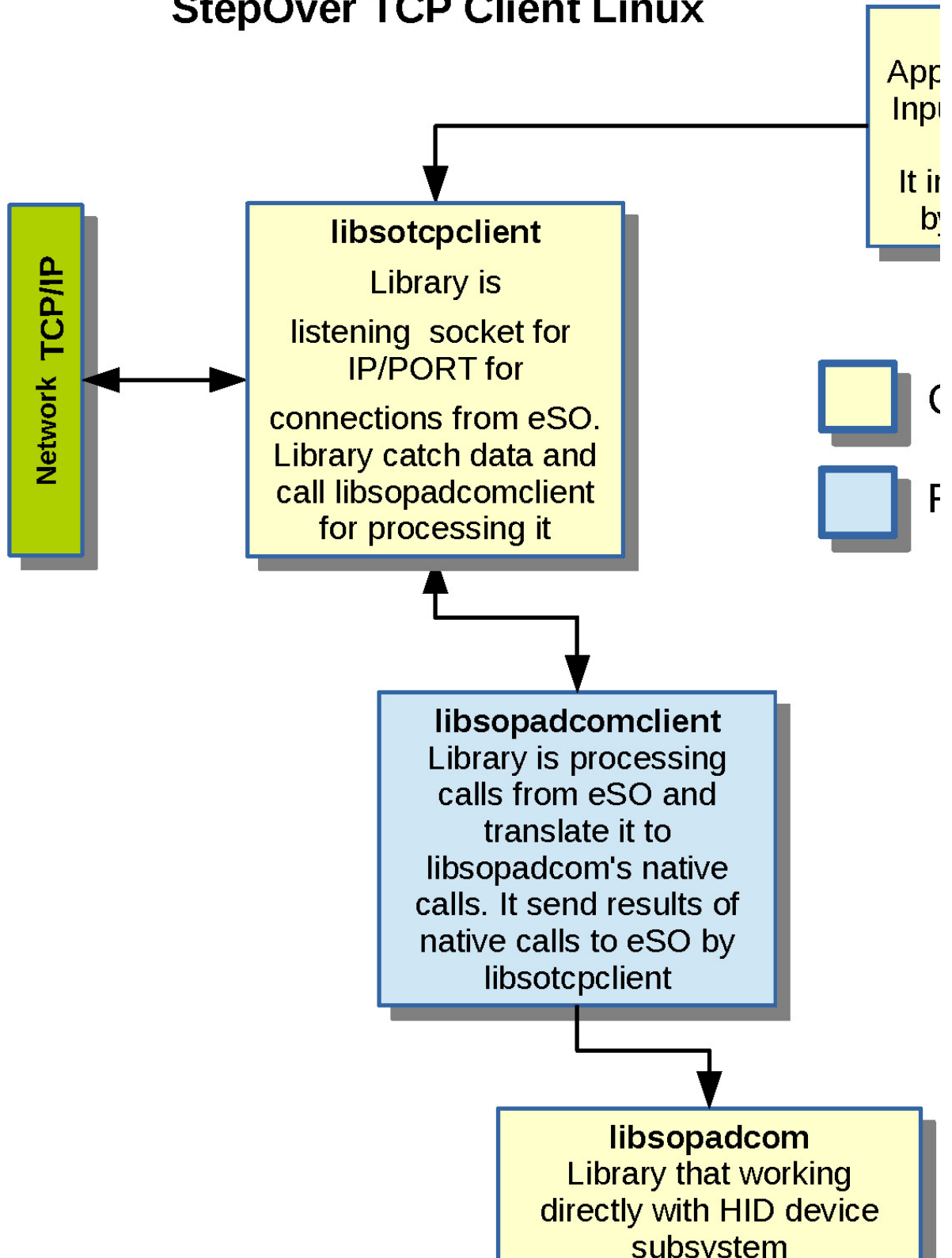


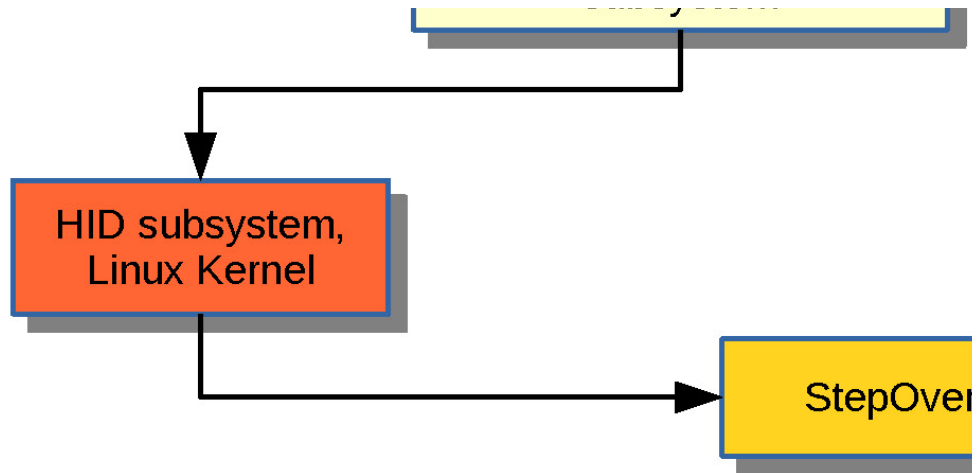
Client (Linux)

Overview of Server TCO Client Linux

The TCP/IP application for organizing access to StepOver signature devices by Network is called sotcp under Linux.

StepOver TCP Client Linux





Configuration of sotcp

SYNOPSIS

```
sotcp [ --hostname=<hostname/IPaddress> ] --port=<service/port>
```

DESCRIPTION

sotcp is the TCP/IP application for organizing access to StepOver signature devices by network. Application is using for network communication with StepOver signature devices from remote computer. It can be used with **eSignatureOffice**.

sotcp is listening specified by **-p** port number for remote request form application.

OPTIONS

- h, --help Display a short usage description, including all available options and examples.
- n, --hostname=Specify IP address or hostname of interface for listening.
- p, --port=Specify a port number or service name for listening.
- v, --version Displays the version number of sotcp to stdout.

EXAMPLES

```
sotcp -p 8888
```

```
sotcp --hostname=192.168.117.142 --port=8888
```

```
sotcp -n mypc.stepover.de -p 8888
```

```
sotcp -n localhost -p 9977
```

IGEL Configuration

<http://edocs.igel.com/index.htm#10202853.htm>